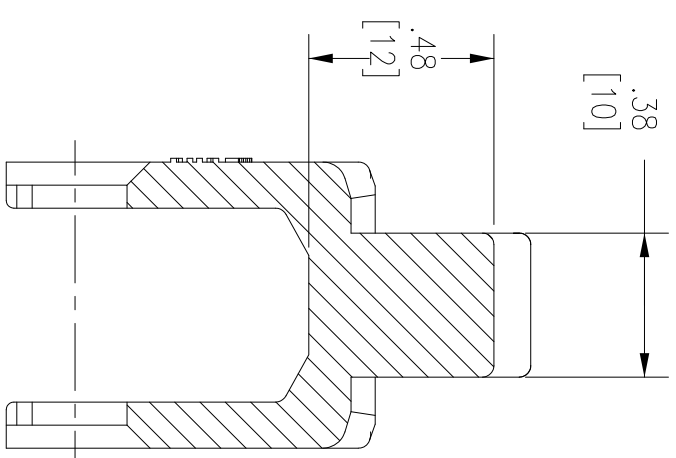
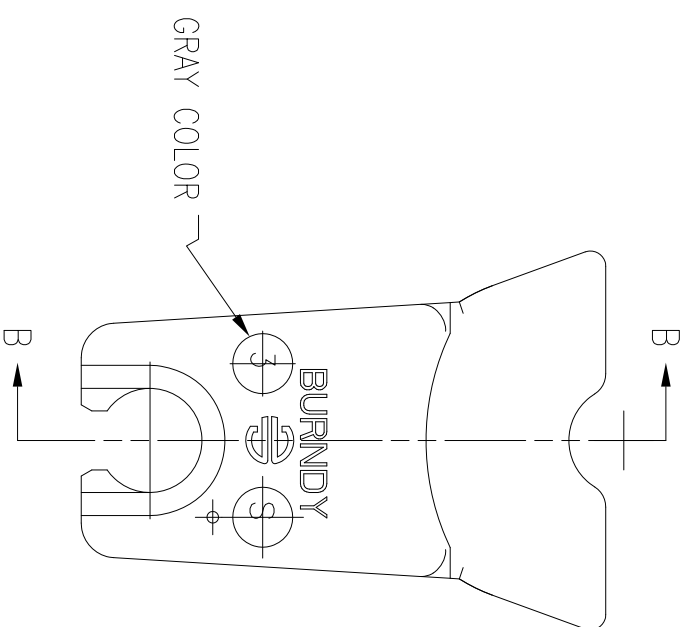
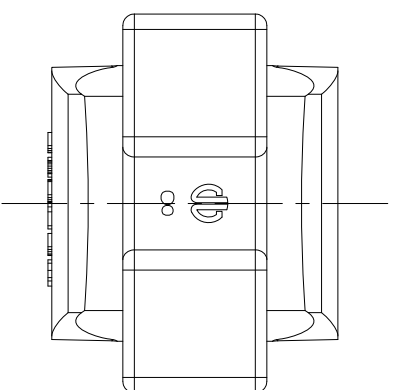
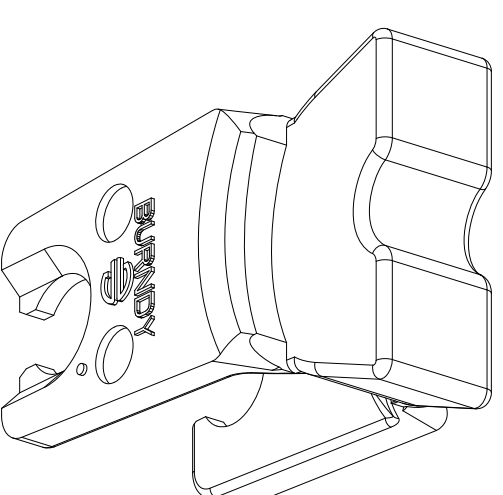
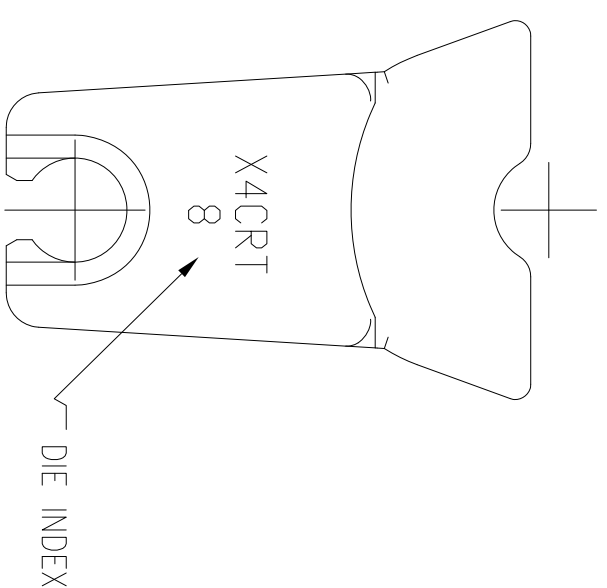


ITEM NO.	DESCRIPTION	QTY.
1	4 AWG, 8 INDEX DIE SET	1

CATALOG NUMBER	DESCRIPTION
HX4CRT	4 AWG, 8 INDEX DIE SET



SECTION B-B

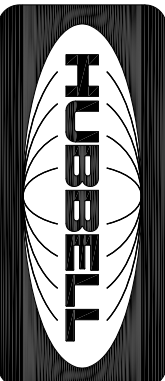


NOTES:

1. DIMENSIONS IN BRACKETS [] ARE IN MILLIMETERS ROUNDED OFF TO THE NEAREST MILLIMETER, UNLESS OTHERWISE NOTED, AND ARE FOR REFERENCE ONLY.
2. MATERIAL: STAINLESS STEEL
3. FITS HOUR840 COMPRESSION TOOL.
4. SPECIFICATIONS SUBJECT TO CHANGE WITHOUT NOTICE.

REV.	ECN	DATE	INITIAL RELEASE	CHG BY	APPD BY
1	18024	10/10/12		CG	
			DESCRIPTION		

Created on AUTOCAD

DIMENSIONING AND TOLERANCE PER ANSI Y14.5M-1994 UNLESS OTHERWISE SPECIFIED, DIMENSIONS ARE IN INCHES (MM). TOLERANCES .XX = ±.01 (.25) .XXX = ±.005 (.127) .XXXX = ±.0025 (.0635) ANGLE TOL ±1°		PROJECT REFERENCE: 2011-041	 Hubbell Premise Wiring HUBBELL INCORPORATED (Delaware) 23 CLARA DRIVE, SUITE 103 MASTIC, CT 06355
IN ACCEPTING OUR DRAWINGS, BLUEPRINTS, OR SUPPORTING DOCUMENTATION FOR QUOTATION OR OTHER PURPOSES, YOU AGREE NOT TO DISCLOSE TO OTHERS THE IDEAS, INFORMATION, OR DESIGNS SHOWN HEREIN, AND THAT YOU WILL MAKE NO USE OF SAME WITHOUT PERMISSION		MATERIAL: SEE NOTES DRAWN BY: C. GRIBBLE 10/10/12 CHECKED BY: APPROVED BY:	
TITLE: DIE SET, 4 AWG, 8 INDEX X DIE SET FAMILY		SIZE: C DRAWING NO.: HWS14182C SCALE: 1/1	REV.: 1